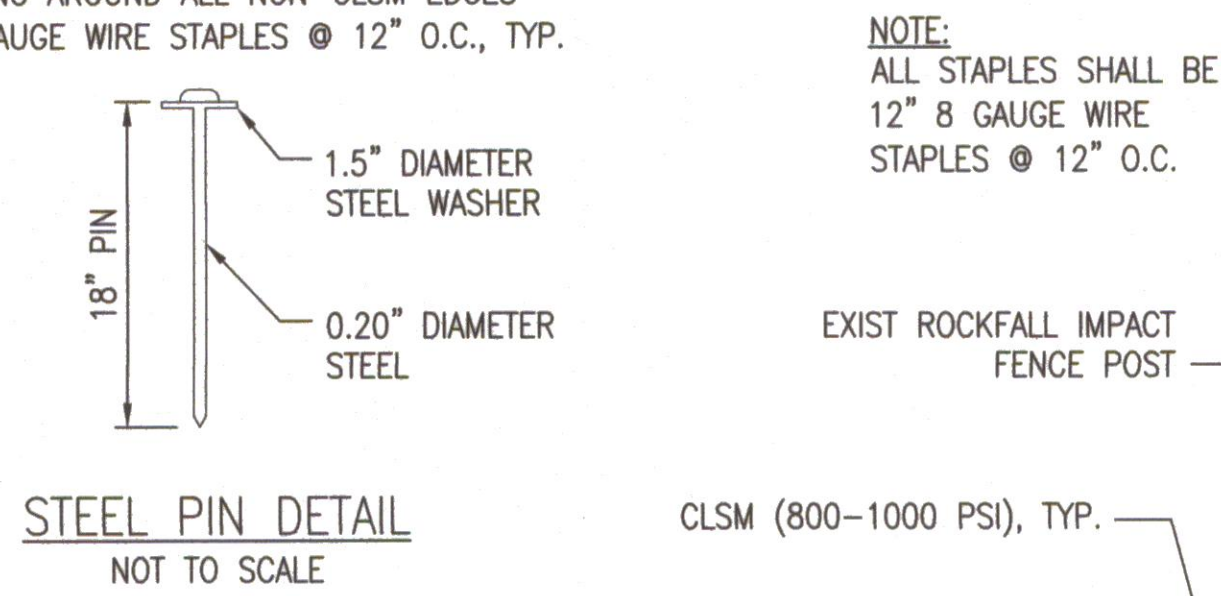
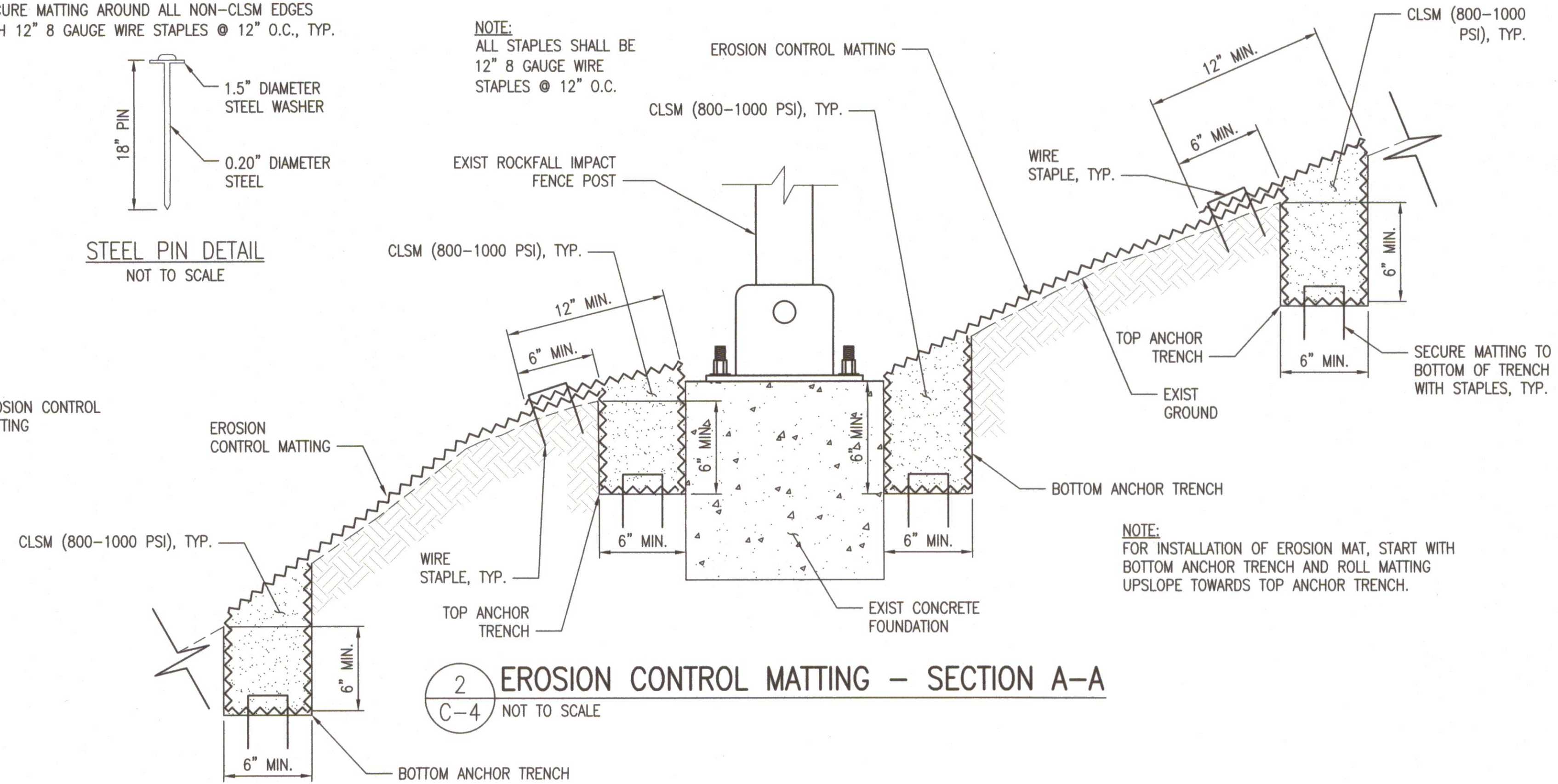


1  
C-4  
**EROSION CONTROL MATTING - PLAN**  
NOT TO SCALE



NOTE:  
ALL STAPLES SHALL BE  
12" 8 GAUGE WIRE  
STAPLES @ 12" O.C.

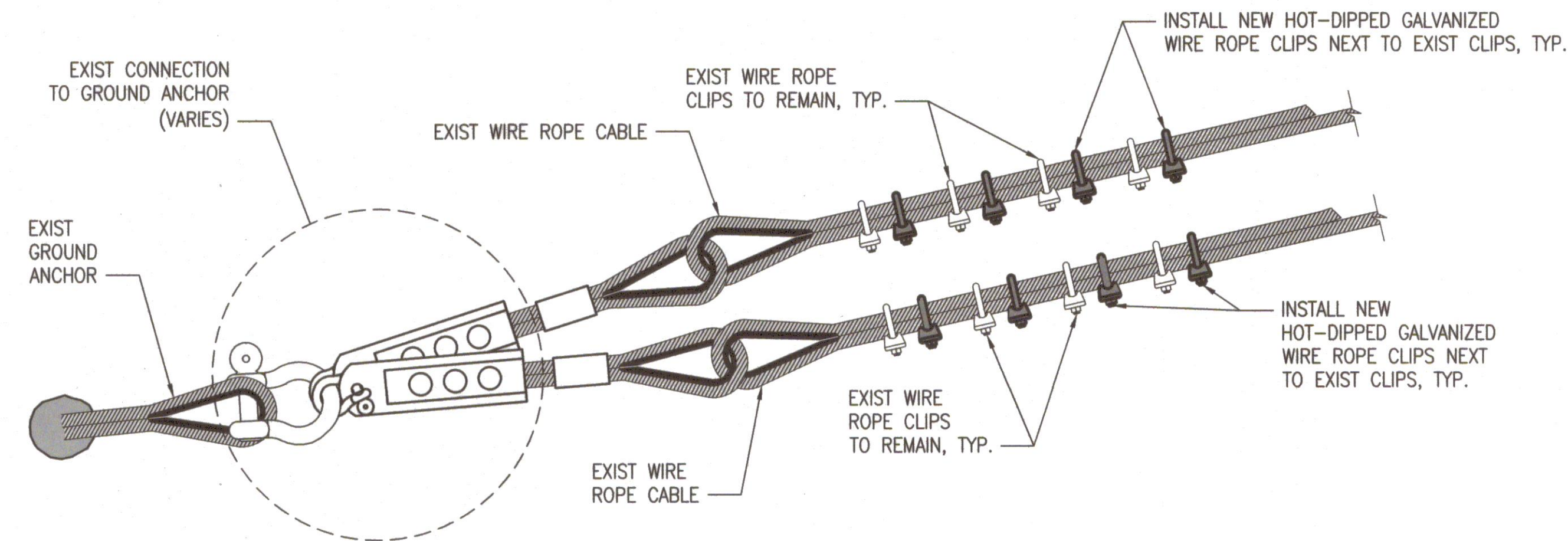
STEEL PIN DETAIL  
NOT TO SCALE



2  
C-4  
**EROSION CONTROL MATTING - SECTION A-A**  
NOT TO SCALE

**EROSION CONTROL MATTING NOTES:**

1. CLEAR ALL SURFACE VEGETATION AND SMOOTHEN SLOPE SURFACE WITHIN THE EROSION CONTROL MATTING LIMITS PRIOR TO INSTALLATION.
2. EROSION CONTROL MATTING SHALL BE TENSAR NORTH AMERICAN GREEN C350 OR APPROVED EQUAL. SEE SPECIFICATIONS.
3. EROSION CONTROL MATTING SHALL EXTEND 3' (MEASURED ALONG THE CURRENT GRADE) BEYOND EACH SIDE OF THE EXISTING ROCKFALL IMPACT FENCE FOOTING.
4. SECURE EROSION CONTROL MATTING WITH STEEL PINS AND STAPLES/STAKES AS SHOWN HERE AND AS RECOMMENDED BY THE MANUFACTURER.
5. OVERLAPS SHALL BE MINIMUM 6 INCHES OR AS RECOMMENDED BY THE MANUFACTURER, WHICHEVER IS GREATER.
6. CUTTING OF EROSION CONTROL MATTING SHALL BE PER MANUFACTURER'S RECOMMENDATIONS.
7. EROSION CONTROL MATTING INSTALLATION DETAILS SHOWN ON THIS SHEET ARE FOR GENERAL GUIDANCE AND REPRESENT THE MINIMUM REQUIREMENTS. CONTRACTOR SHALL SUBMIT MANUFACTURER LITERATURE AND INSTALLATION GUIDE TO THE ENGINEER FOR REVIEW AND APPROVAL PRIOR TO INSTALLATION. CONTRACTOR SHALL FOLLOW THE MANUFACTURER'S DESIGN DRAWINGS AND DETAILS WHICH HAVE BEEN ACCEPTED BY THE ENGINEER.



**WIRE ROPE CLIP NOTES:**

1. ALL NEW WIRE ROPE CLIPS TO BE INSTALLED SHALL BE HOT-DIPPED GALVANIZED WITH A MINIMUM WEIGHT OF COATING OF 250 G/M2.
2. ALL OTHER MISCELLANEOUS METALS SHALL BE HOT-DIPPED GALVANIZED.
3. SADDLE/NUTS OF WIRE ROPE CLIPS SHALL BE INSTALLED ON LIVE END OF WIRE ROPE.
4. SEE SCHEDULE ON SITE PLAN FOR NUMBER OF CLIPS PER WIRE ROPE.
5. NO. OF WIRE ROPE CABLES CONNECTED TO EACH GROUND ANCHOR VARIES. CONFIRM LOCATIONS OF NEW WIRE ROPE CLIPS WITH THE ENGINEER PRIOR TO STARTING WORK.

3  
C-4  
**TYPICAL WIRE ROPE CLIP INSTALLATION DETAIL**  
NOT TO SCALE

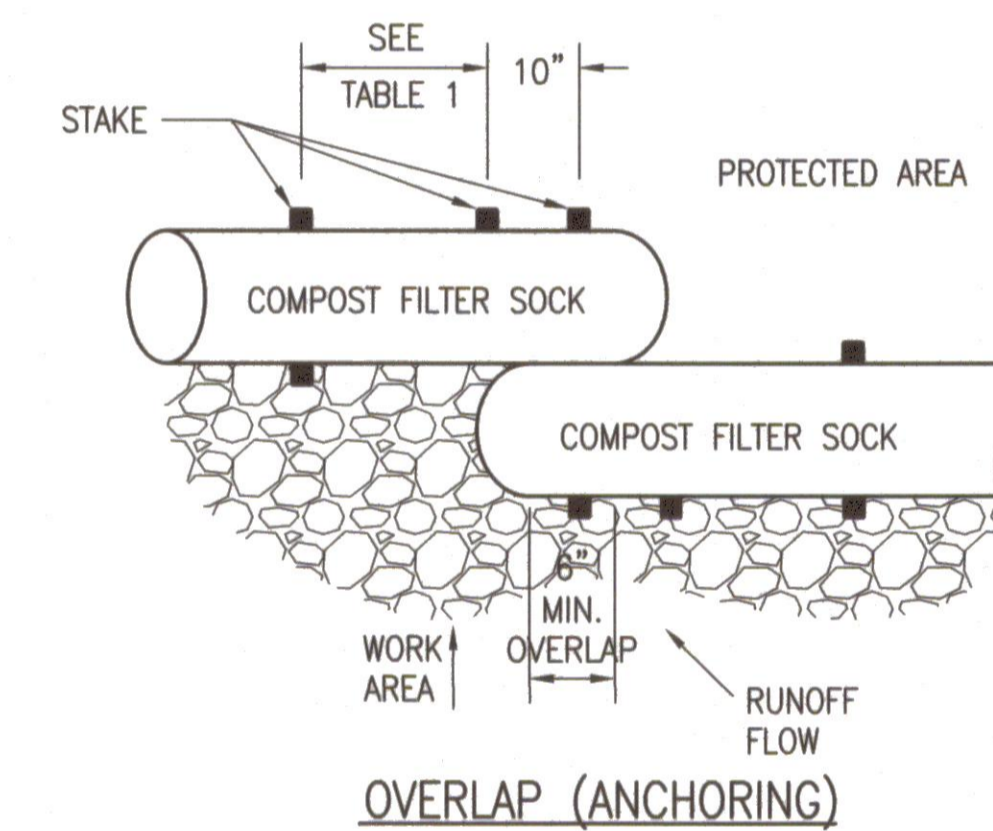
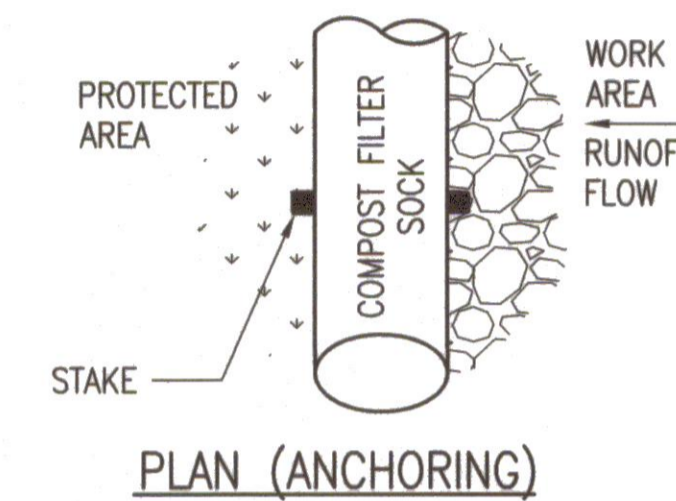
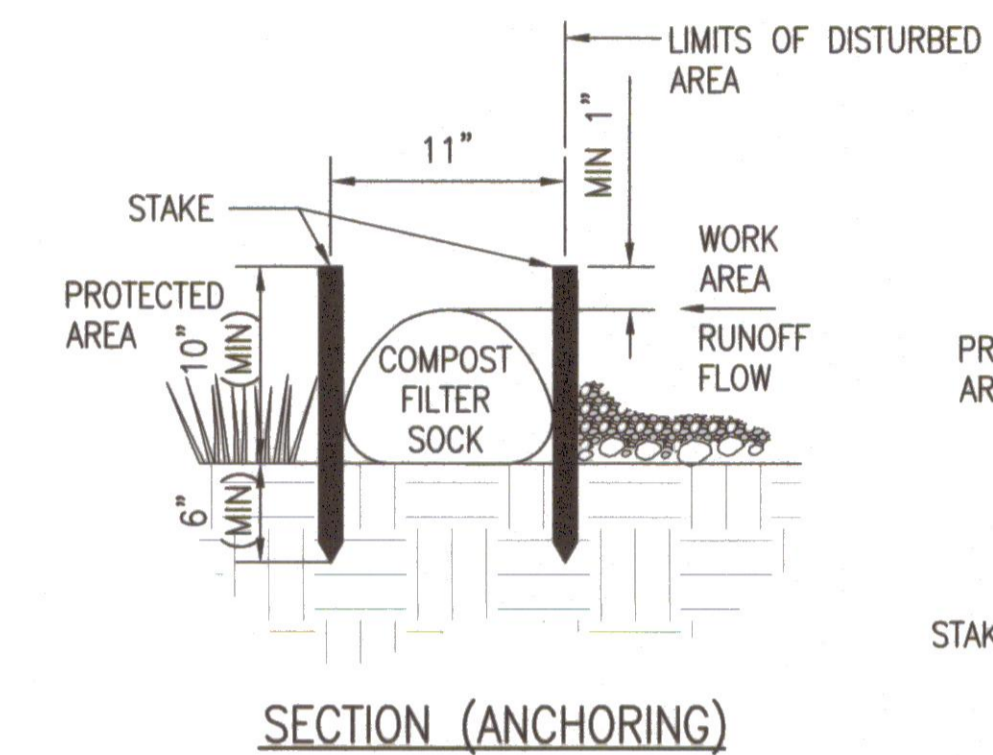
REVISION NO.	SYM.	DESCRIPTION	SHT./OF	DATE	APPROVED
STATE OF HAWAII DEPARTMENT OF LAND AND NATURAL RESOURCES ENGINEERING DIVISION ROCKFALL MITIGATION IMPROVEMENTS BOOTH ROAD HONOLULU, OAHU, HAWAII <b>TYPICAL DETAILS</b>					
DESIGNED: RMO		SUBMITTED:			
DRAWN: RMO		DATE: MAY 2016			
CHECKED: ARN		SCALE: AS NOTED			
APPROVED: <i>[Signature]</i>		DATE: Aug 3, 2016		DRAWING NO. C-4	
		THIS WORK WAS PREPARED BY ME OR UNDER MY SUPERVISION AND CONSTRUCTION OF THIS PROJECT WILL BE UNDER MY OBSERVATION. Signature: <i>[Signature]</i> 4/30/18 Expiration Date of the License			



**EROSION CONTROL PLAN**  
SCALE: 1" = 40'



- LEGEND**
- PROPERTY LINES
  - EXIST ROCKFALL IMPACT FENCE
  - EXIST FENCE POST W/EROSION CONTROL MAT
  - ⋯ COMPOST FILTER SOCK




SLOPE GRADIENT	WOODEN STAKE SPACING
<4:1	NOT REQUIRED
4:1 TO 3:1	10' ON CENTER
>3:1 TO 2:1	5' TO 10' ON CENTER
>2:1	5' ON CENTER

**COMPOST FILTER SOCK NOTES:**

1. INSTALLATION:
  - a. INSTALLATION SHALL BE DONE ACCORDING TO THE MANUFACTURER'S RECOMMENDATIONS.
  - b. FOR MULTI-SOCK USE, PLACE SOCKS END-TO-END AND INTERLOCK THE ENDS.
  - c. ANCHOR FILTER SOCKS TO GROUND; STAKES SHALL BE INSTALLED PER THE MANUFACTURER'S RECOMMENDATIONS. WHERE STAKING IS NOT POSSIBLE, HEAVY CONCRETE BLOCKS SHALL BE USED BEHIND THE FILTER SOCK FOR STABILIZATION DURING RAINFALL EVENTS.
  - d. CONTRACTOR MAY CHOOSE TO INSTALL FILTER SOCKS ONLY IN AREAS WHERE ONGOING GROUND DISTURBING ACTIVITY IS TAKING PLACE. ONCE THE AREA IS DEEMED STABILIZED BY THE ENGINEER, THE CONTRACTOR MAY RELOCATE THE FILTER SOCK TO THE NEXT LOCATION WHERE GROUND DISTURBING ACTIVITY WILL TAKE PLACE.
2. INSPECTION & MAINTENANCE: PROPERLY MAINTAIN ALL EROSION CONTROL FEATURES. INSPECT, REMOVE DEBRIS COLLECTED, AND MAKE NECESSARY REPAIRS TO ALL EROSION CONTROL MEASURES AT THE FOLLOWING INTERVALS:
  - a. WEEKLY DURING DRY PERIODS,
  - b. WITHIN 24 HOURS OF ANY RAINFALL OF 0.5 INCH OR GREATER WHICH OCCURS IN A 24-HOUR PERIOD,
  - c. DAILY DURING PERIODS OF PROLONGED RAINFALL,
  - d. WHEN EXISTING EROSION CONTROL MEASURES ARE DAMAGED OR NOT OPERATING PROPERLY AS SPECIFIED BY THE OFFICER-IN-CHARGE.
3. REMOVE ALL ACCUMULATED SEDIMENT AND DEBRIS FROM VICINITY OF FILTER SOCK(S) AFTER EACH STORM EVENT, OR WHENEVER THE SEDIMENT HAS ACCUMULATED MORE THAN 1/3 OF THE SOCK HEIGHT.
4. COMPOST FILTER SOCK SHALL BE 12" NOMINAL DIAMETER. WOOD STAKE SHALL HAVE NOMINAL CLASSIFICATION OF 3/4"x3/4" AND MINIMUM LENGTH OF 16" FOR BIOSOCK OR APPROVED EQUAL. SEE TABLE 1 FOR STAKE SPACING.
5. COMPOST SHALL NOT CONTAIN BIOSOLIDS AND SHOULD BE CONSISTENT WITH EPA GUIDELINES.

**1 COMPOST FILTER SOCK DETAIL**  
EC-1 NOT TO SCALE



REVISION NO.	SYMBOL	DESCRIPTION	SHT./OF	DATE	APPROVED
STATE OF HAWAII DEPARTMENT OF LAND AND NATURAL RESOURCES ENGINEERING DIVISION ROCKFALL MITIGATION IMPROVEMENTS BOOTH ROAD HONOLULU, OAHU, HAWAII <b>EROSION CONTROL PLAN</b>					
DESIGNED: RMO		SUBMITTED:			
DRAWN: RMO		DATE: MAY 2016			
CHECKED: ARN		SCALE: AS NOTED			
APPROVED: 		Carty Chang E-signed 2016-08-03 03:08PM HST carty.s.chang@hawaii.gov		DRAWING NO. <b>EC-1</b>	